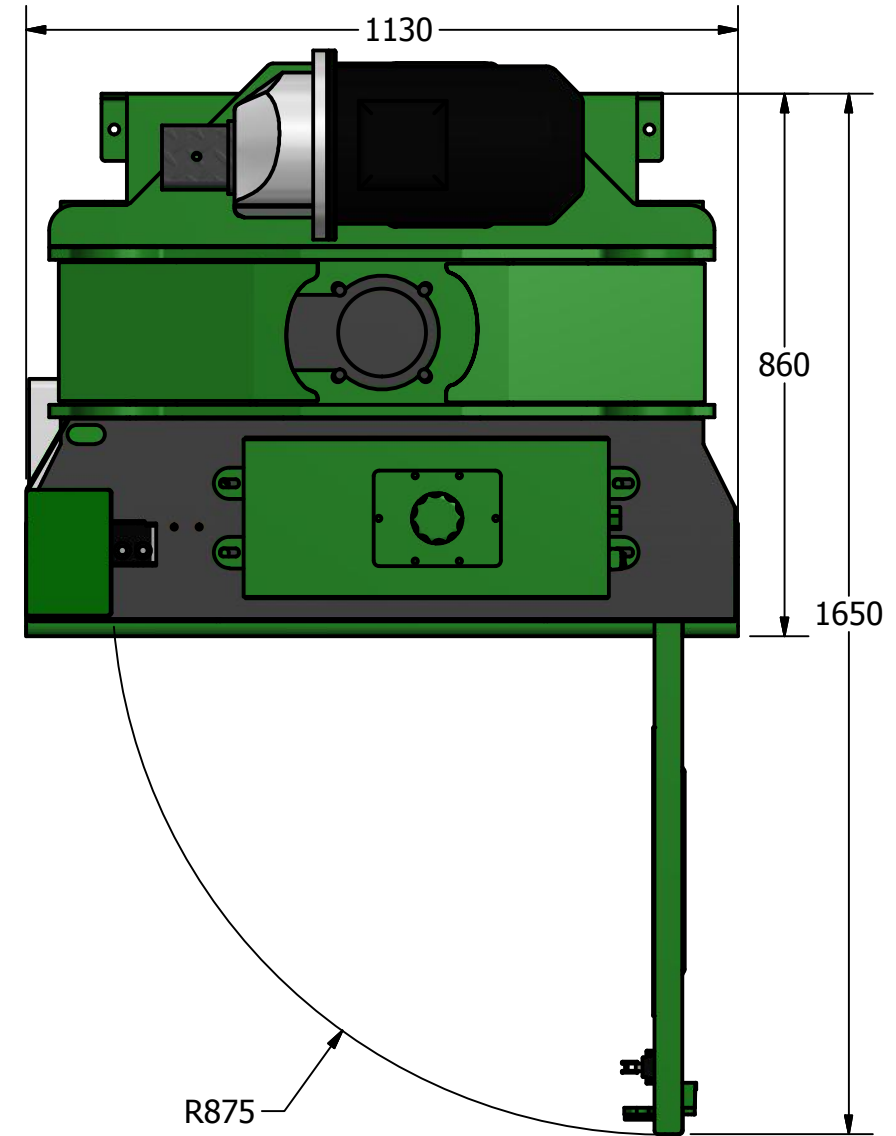
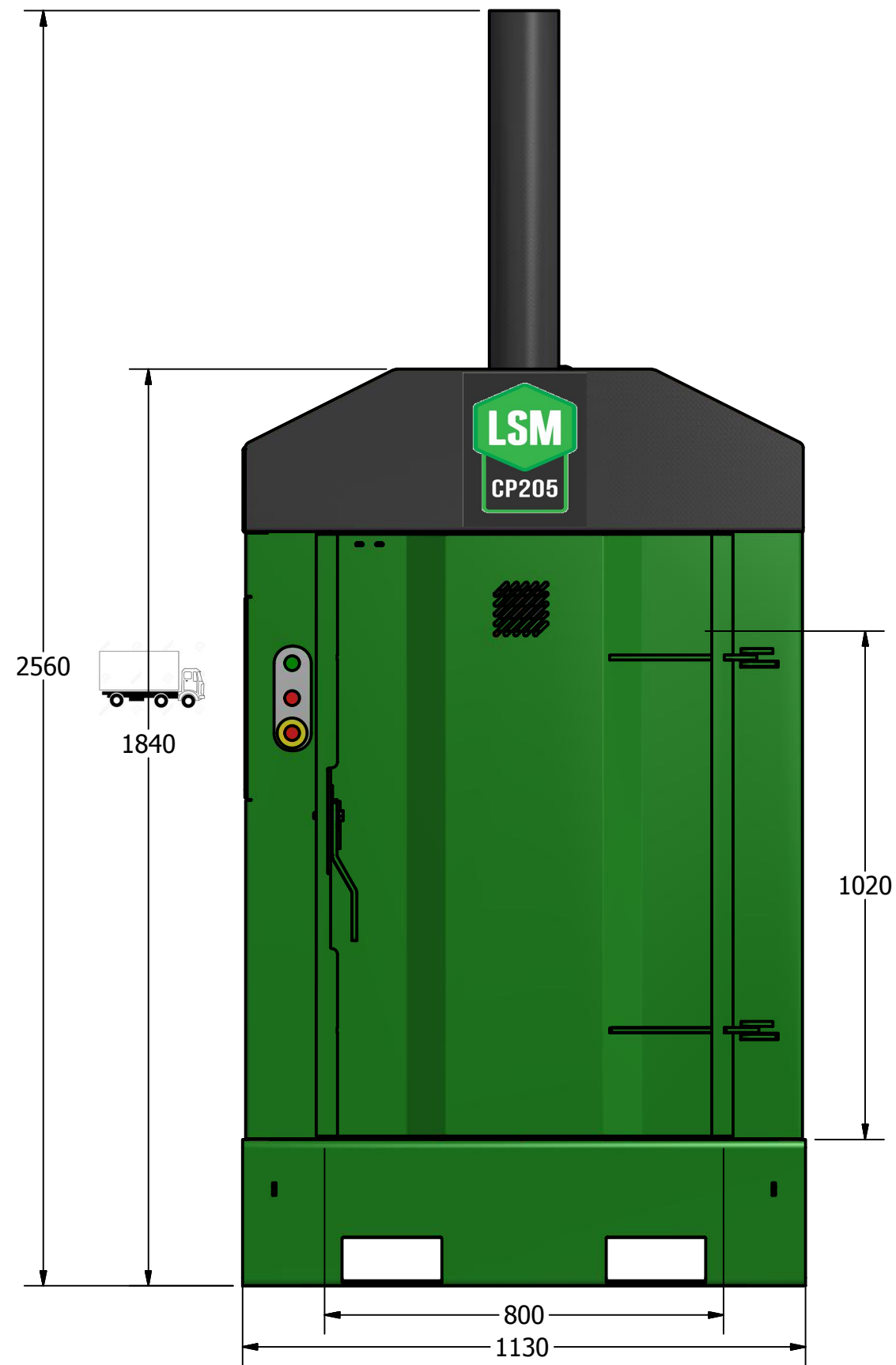
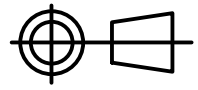


THIRD ANGLE PROJECTION



WWW.LSMLTD.COM

| | |
|----------------|--------|
| MODEL CODE | CP205 |
| MACHINE WEIGHT | 815 KG |
| NOISE LEVEL | 76 dB |