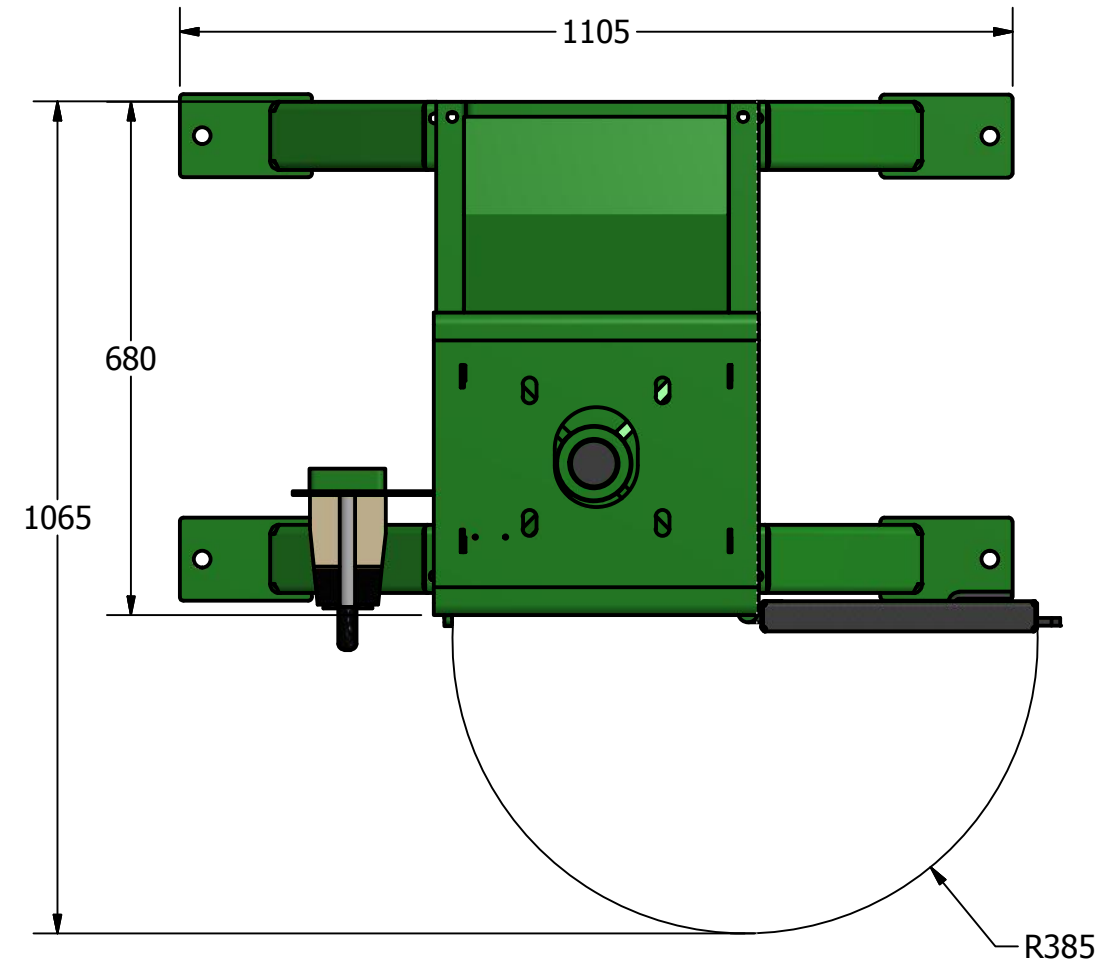
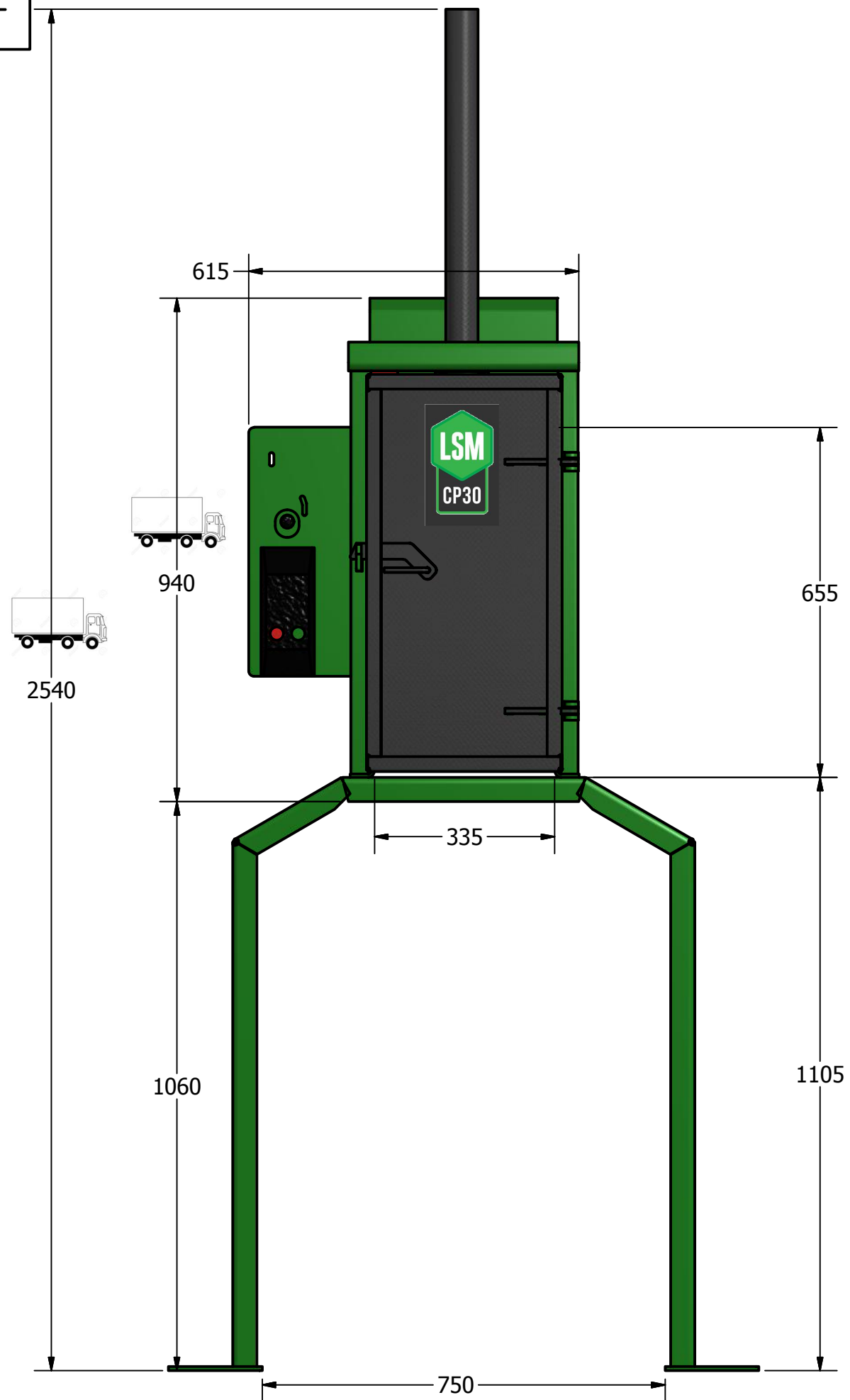
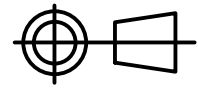


THIRD ANGLE PROJECTION



WWW.LSMLTD.COM

MODEL CODE	CP30
MACHINE WEIGHT	245 KG
NOISE LEVEL	70 dB