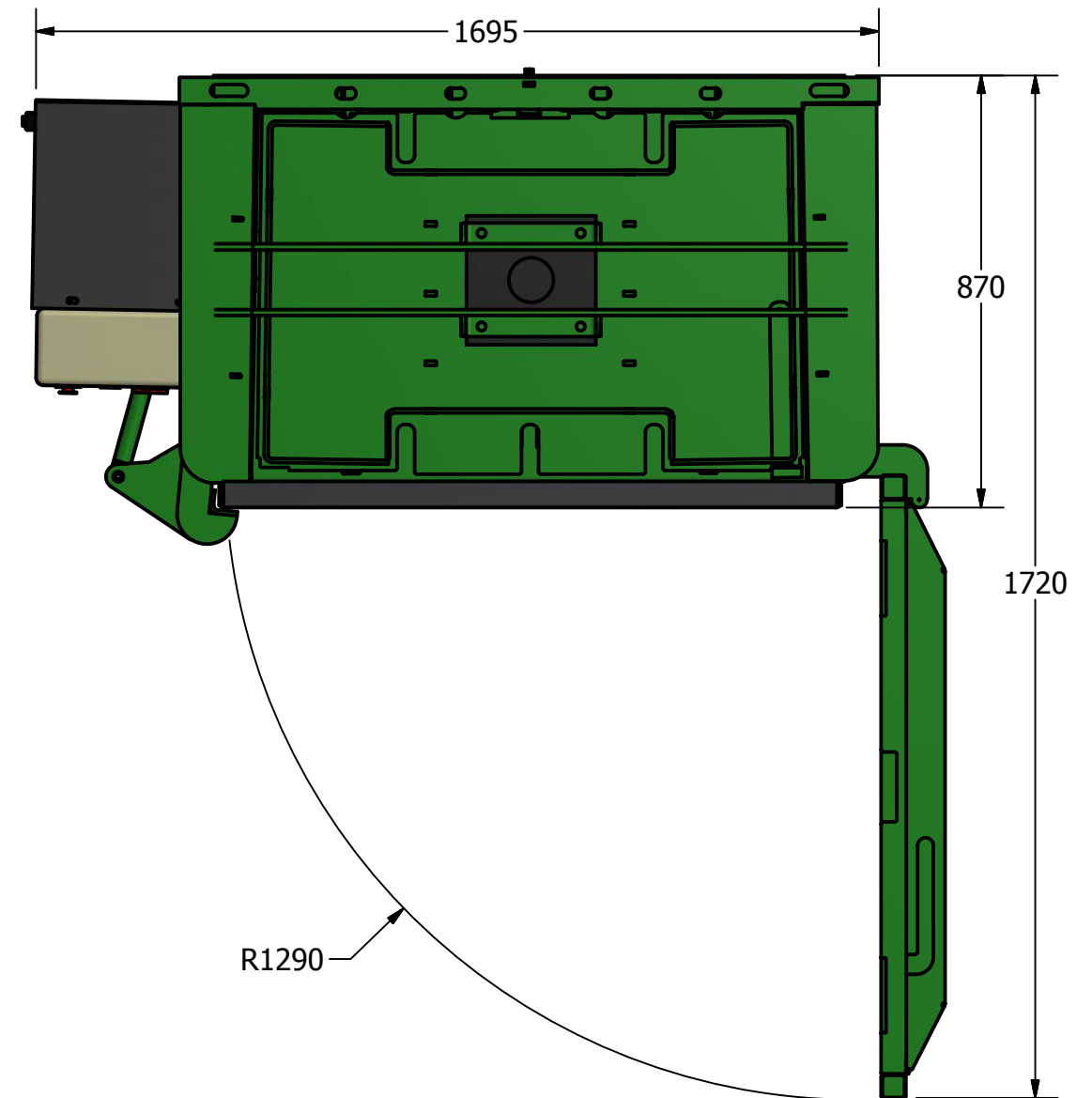
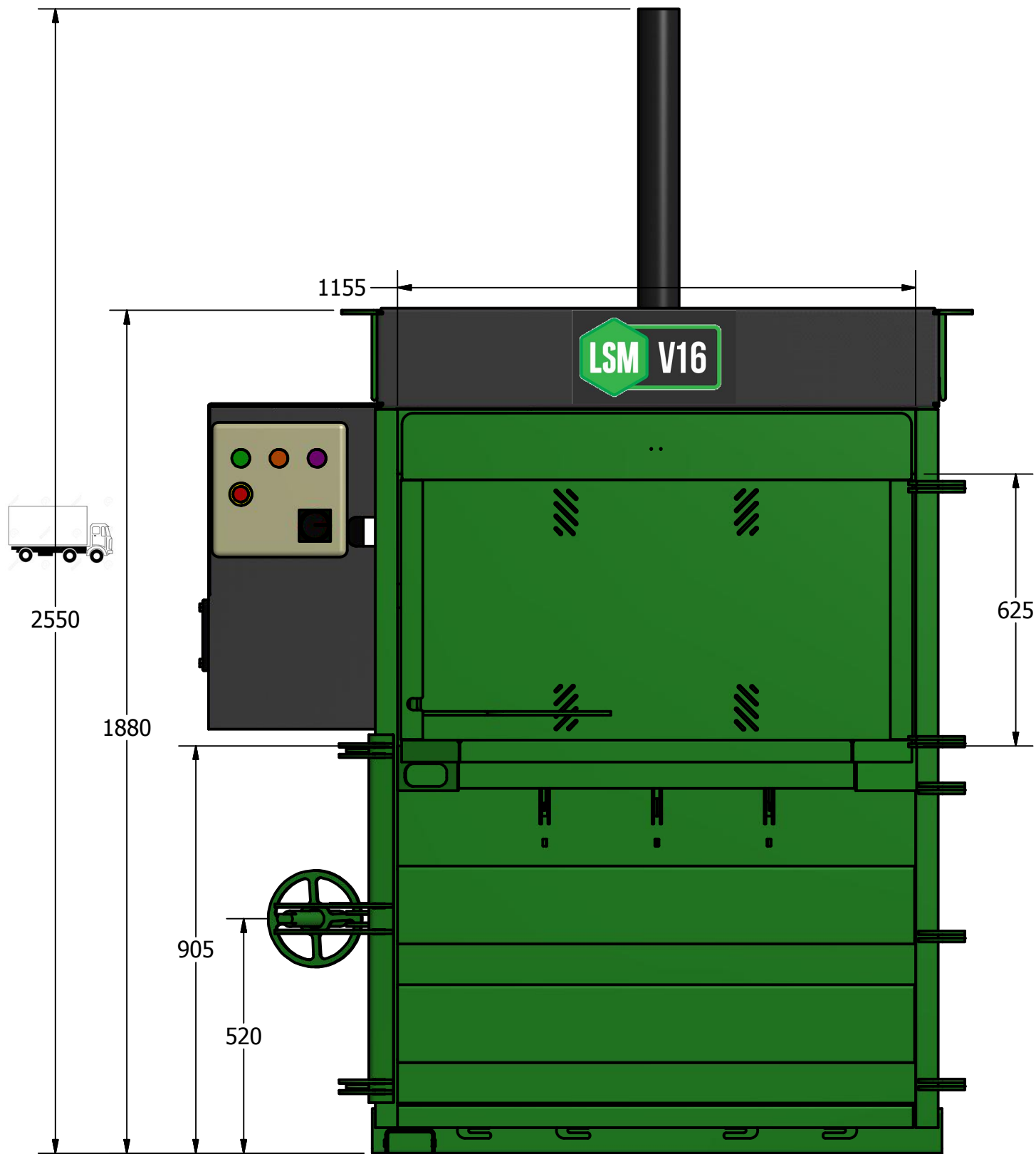
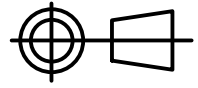


THIRD ANGLE PROJECTION



WWW.LSMLTD.COM

MODEL CODE	V16
MACHINE WEIGHT	1,200 Kg
NOISE LEVEL	74 dB