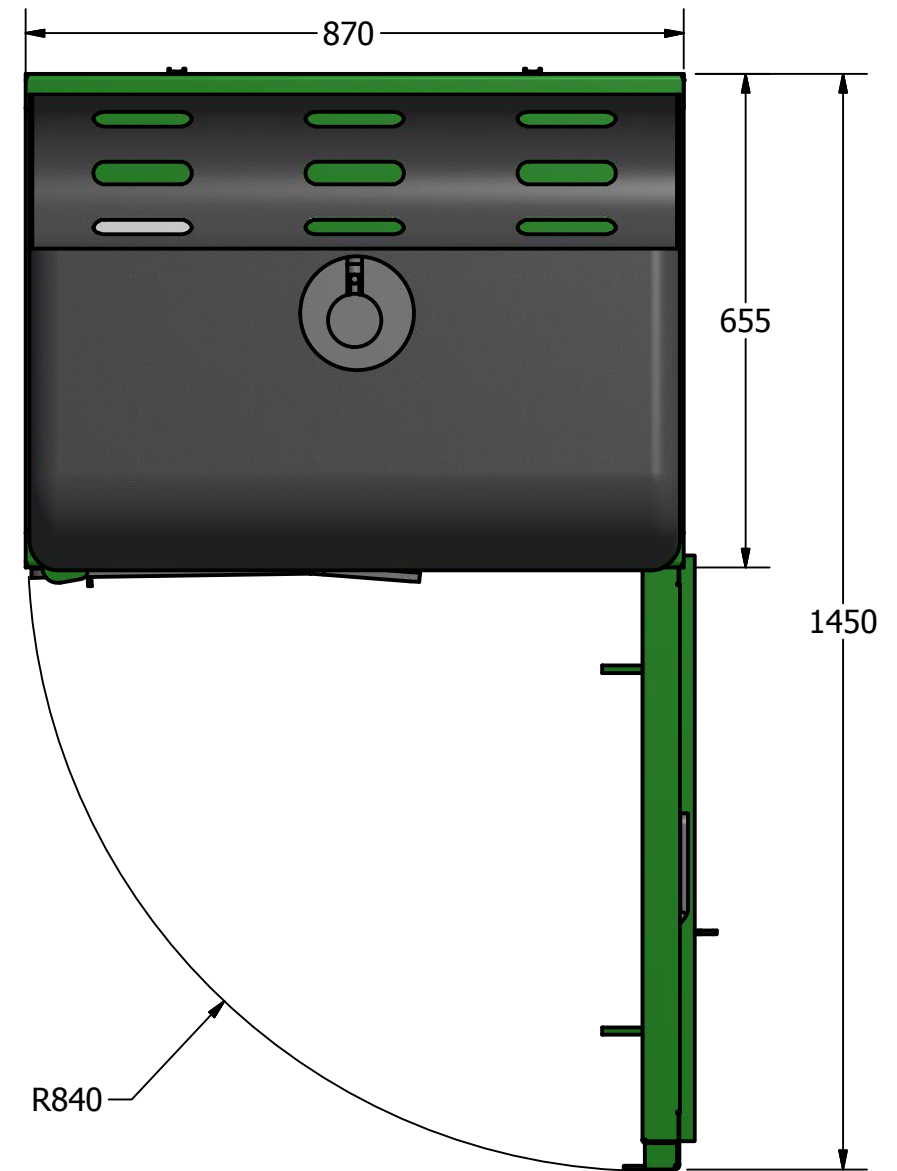
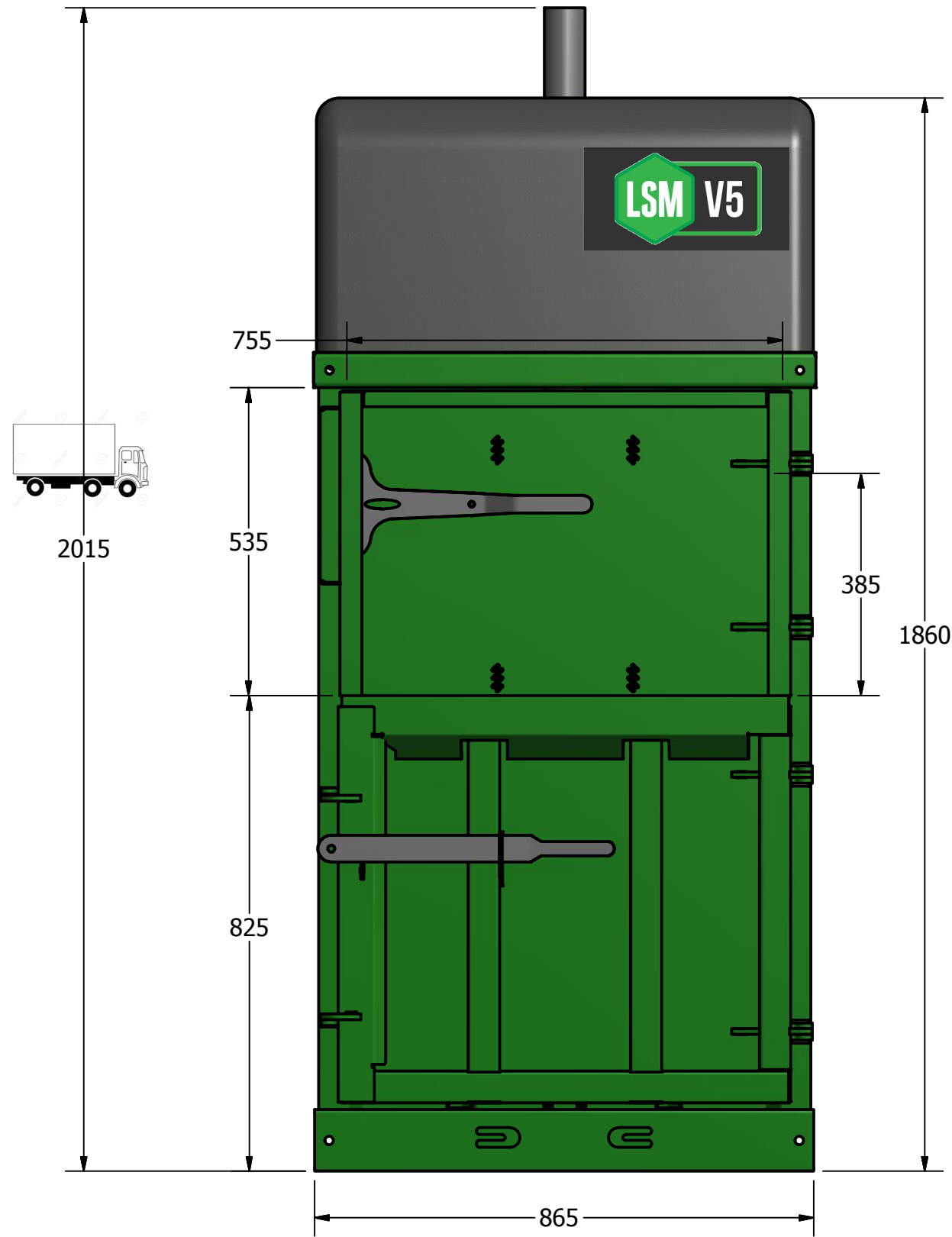
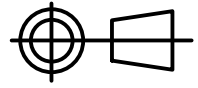


THIRD ANGLE PROJECTION



WWW.LSMLTD.COM

MODEL CODE	V5
MACHINE WEIGHT	340 KG
NOISE LEVEL	70 dB