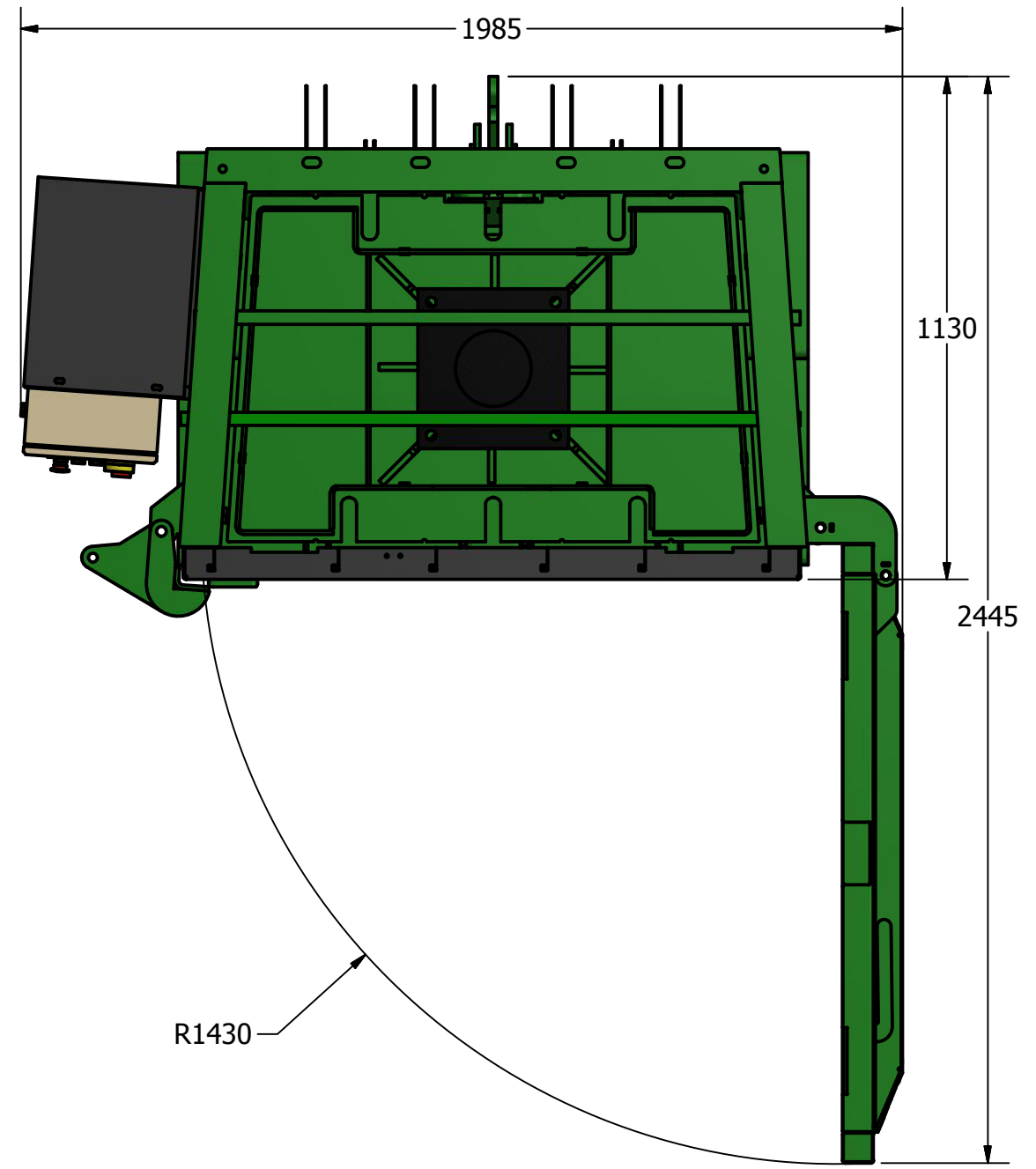
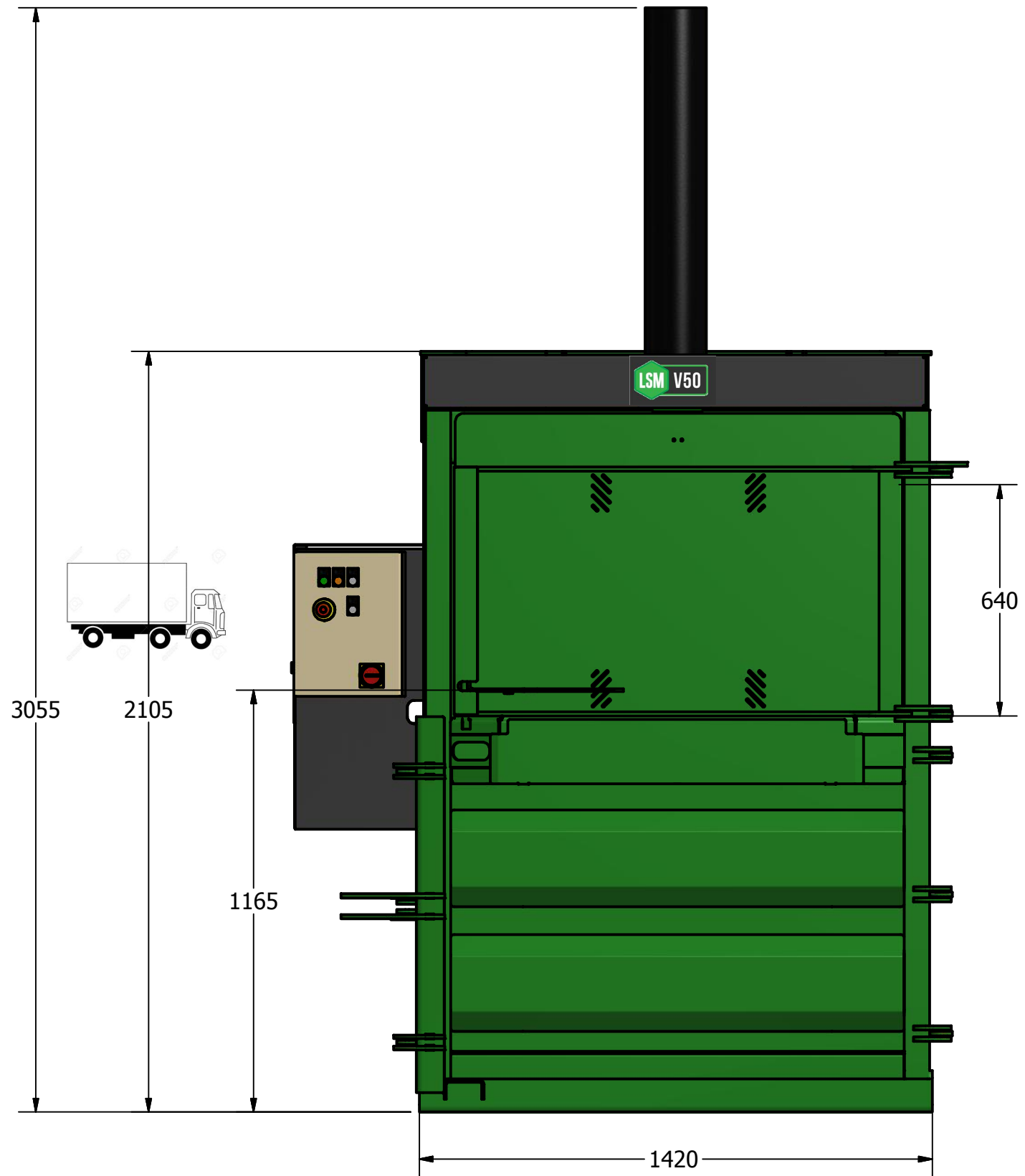
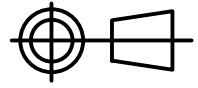


THIRD ANGLE PROJECTION



WWW.LSMLTD.COM

| | |
|----------------|---------|
| MODEL CODE | V50 |
| MACHINE WEIGHT | 1870 KG |
| NOISE LEVEL | 74 dB |